

CLEANING PROTOCOL

SOCOREX 520 SERIES CALIBREX® DISPENSERS

TO MAINTAIN CALIBREX® DISPENSERS IN OPTIMUM WORKING CONDITION IT IS IMPORTANT THAT THESE SIMPLE CLEANING PROCEDURES ARE ROUTINELY FOLLOWED.

CLEANING ON A DAILY BASIS

- Remove dispenser from dosing bottle.
- Thoroughly rinse the entire unit in hot water.
- Flush the inside of the unit with hot water by drawing up via the plunger & feed tube.

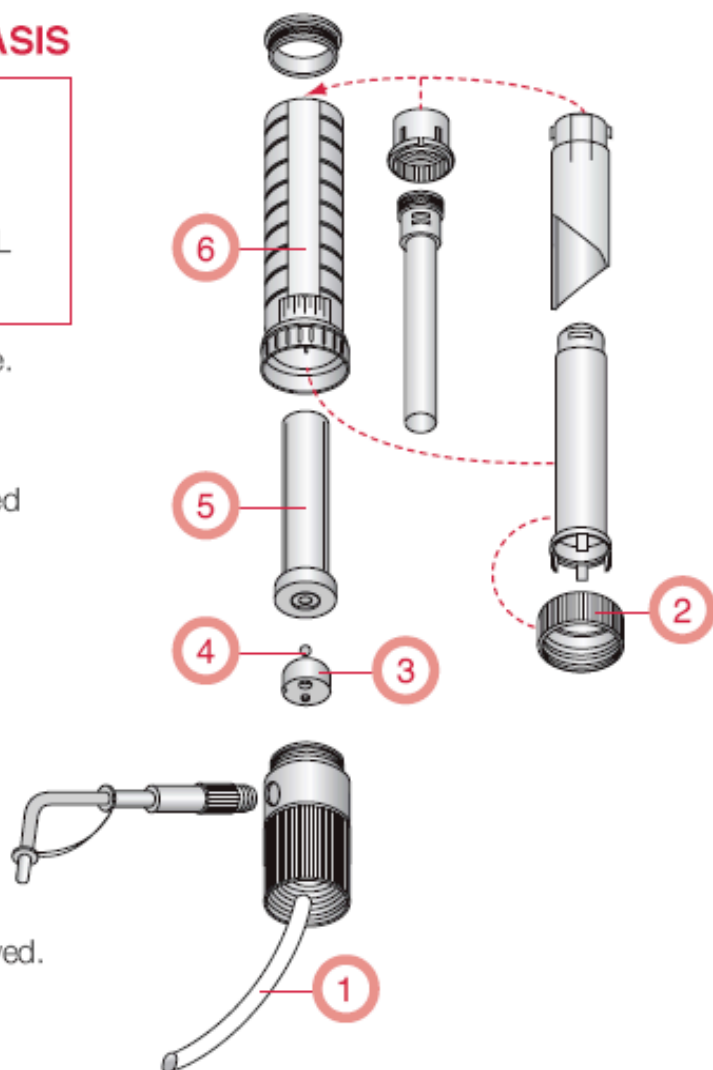
CLEANING ON A WEEKLY BASIS

AT LEAST ONCE A WEEK WE RECOMMEND DISASSEMBLING THE UNIT FOR COMPLETE CLEANING OF ALL THE INTERNAL COMPONENTS.

- Remove dispenser from dosing bottle.
- Repeat daily cleaning procedure.
- Remove feed tube (1).
- Unscrew the ring assembly (2) located under the volume window by turning to the left.
- Remove the ceramic valve assembly (3 white disc) and glass aspiration ball (4).

Take care not to lose glass ball

- Remove glass barrel assembly (5) from plastic sleeve (6).
- Soak & rinse all parts in hot soapy water ensuring that any methadone/bidone residue is removed.
- Dry components.
- Reassemble unit.



Dispensers must be thoroughly cleaned prior to returning to supplier for service/repair and must be accompanied with a signed decontamination certificate.

For further information please contact your local
Interpath Services Representative or one of our Customer Service departments on
Melbourne 03 94576277 • Sydney 02 95241199 • Freecall 1800 626 369

CLEANING PROTOCOL

SOCOREX 521 CALIBREX™ DISPENSERS (20, 50, 100ml)

TO MAINTAIN CALIBREX DISPENSERS IN OPTIMUM WORKING CONDITION IT IS IMPORTANT THAT THESE SIMPLE CLEANING PROCEDURES ARE ROUTINELY FOLLOWED.

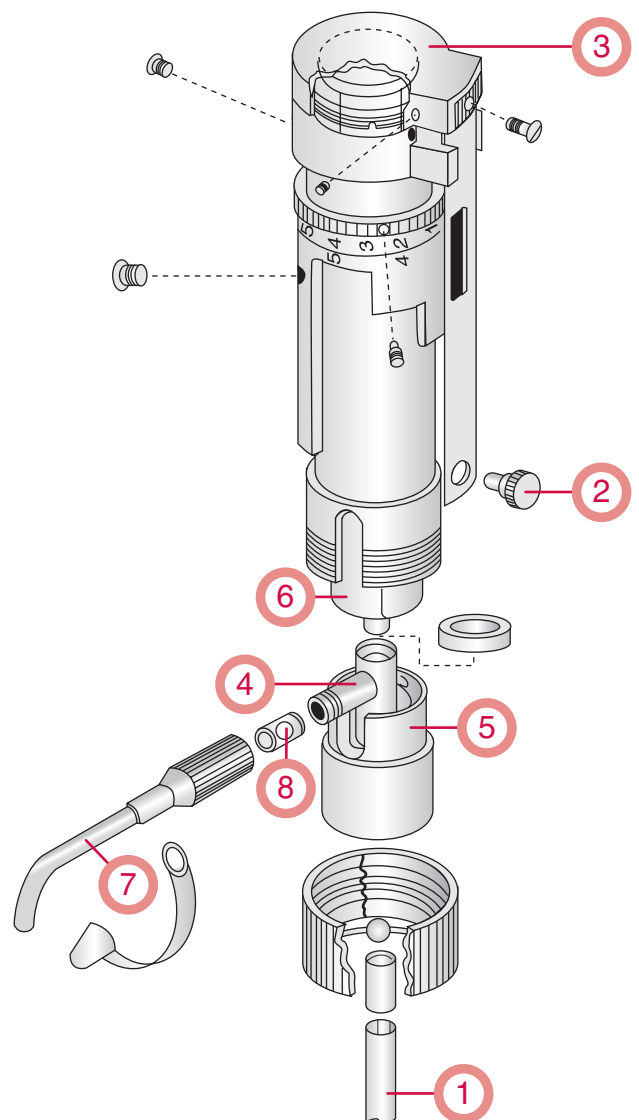
CLEANING ON A DAILY BASIS

- Remove dispenser from dosing bottle.
- Thoroughly rinse the unit in hot water.
- Flush the inside of the unit with hot water by drawing up via the plunger and feed tube.

CLEANING ON A WEEKLY BASIS

AT LEAST ONCE A WEEK WE RECOMMEND DISASSEMBLING THE UNIT FOR COMPLETE CLEANING OF ALL INTERNAL COMPONENTS

- Remove dispenser from dosing bottle
- Repeat daily cleaning procedure
- Remove Feed Tube (1)
- Unscrew Stop Screw (2)
- Pull off Plunger Cap (3)
- Remove Plunger from Barrel
- Unscrew Ring (4)
- Pull out Dispenser Body (5)
- Remove Glass Barrel (6)
- Remove Delivery Jet (7)
- Remove Outlet Valve Assembly (8)
- Soak and rinse all units in hot soapy water ensuring that any methadone/bidone residue is removed
- Dry components
- Reassemble unit



Dispensers must be thoroughly cleaned prior to returning to supplier for service/repair and must be accompanied by with a signed decontamination certificate.

For further information please contact Interpath Services
Freecall 1800 626 369